

### THREAD TYPE BRASS BODY WATER METER CLASS B TYPE P-MAX / MODEL MDB-B DN20 - MODEL MDB-P DN25~50



#### Application:

--Measuring the total volume of cold portable water passing through the pipeline.

#### Feature:

- Multi-jet, dry-dial, easy for maintenance;
- Magnetic drive reliable characteristic, long working life;
- Vacuum sealed register ensures the dial keep free from fog and frost, Keep the reading clear in a long term service;
- Technical data conform to international standard ISO4064 Class B.

#### Working condition:

Water temperature:  $0.1^{\circ}\text{C} \sim 52^{\circ}\text{C}$  for cold water meter .

Water pressure :  $\leq 1.6\text{Mpa}$ .

#### Maximum permissible error:

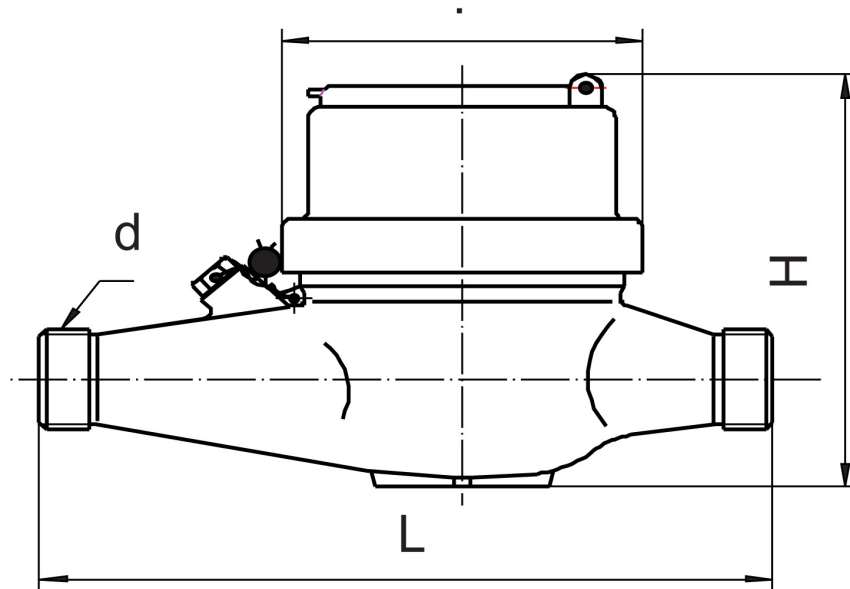
- (1) in the lower zone from  $Q_{\min}$  inclusive up to but excluding  $Q_t$  is  $\pm 5\%$ .
- (2) in the upper zone from  $Q_t$  inclusive up to and including  $Q_{\max}$  is  $\pm 2\%$ ;

### MAIN TECHNICAL SPECIFICATIONS

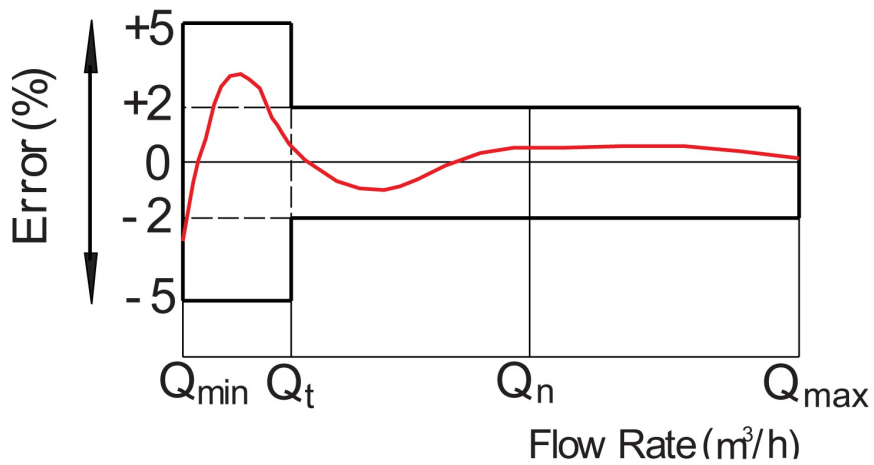
Type / Model	Size (mm)	Class	Q <sub>max</sub>	Q <sub>n</sub>	Q <sub>t</sub>	Q <sub>min</sub>	Minimum Reading	Maximum Reading
			Overload Flow	Permanent Flow	Transitional Flow	Minimum Flow		
			m <sup>3</sup> /h		L/h		m <sup>3</sup>	
P-MAX / MDB-B	20	B	5	2.5	200	50	0.00005	99,999
P-MAX / MDB-P	25	B	7	3.5	280	70	0.00005	99,999
P-MAX / MDB-P	32	B	12	6	480	120	0.00005	99,999
P-MAX / MDB-P	40	B	20	10	800	200	0.00005	99,999
P-MAX / MDB-P	50	B	30	15	3000	450	0.00005	99,999

### DIMENSIONS

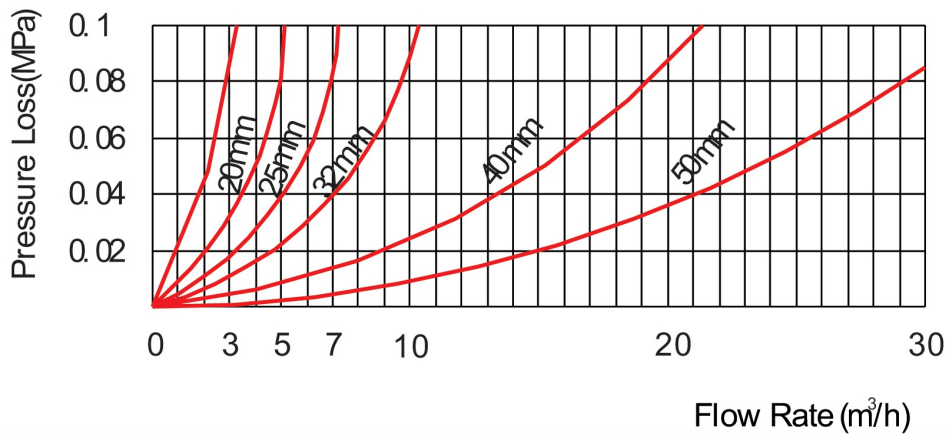
Type / Model	Size	L	B	H	d Connecting Thread
		Length	Width	Height	
mm					
P-MAX/MDB-B	20	190	81	109	G1B
P-MAX/MDB-P	25	225	96	130	G1 <sup>1</sup> / <sub>4</sub> B
P-MAX/MDB-P	32	230	100	130	G1 <sup>1</sup> / <sub>2</sub> B
P-MAX/MDB-P	40	200	110	135	G2B
P-MAX/MDB-P	50	245	120	162	G2 <sup>1</sup> / <sub>2</sub> B

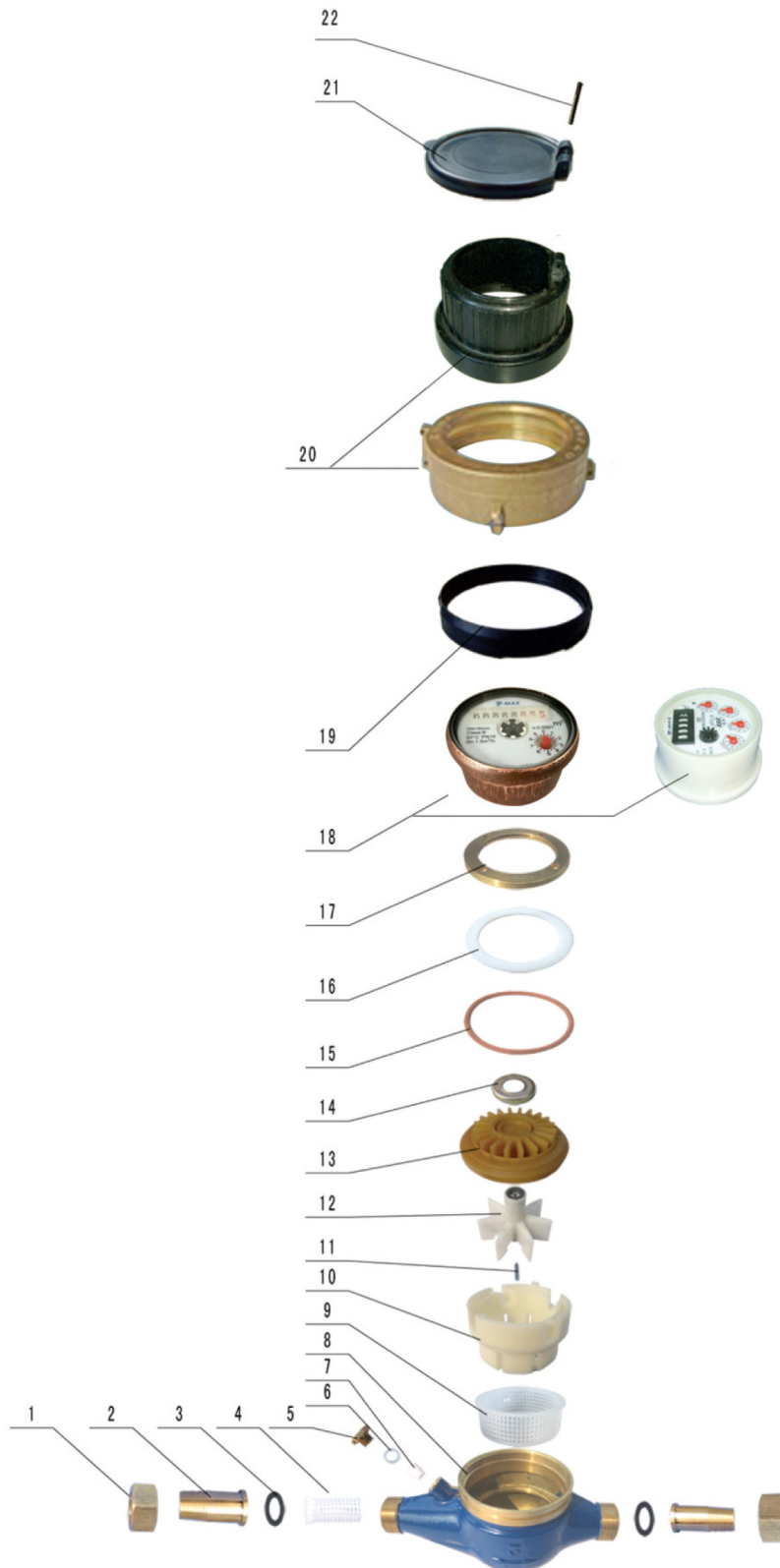


Flow Error Curve



Pressure Loss Curve





### DN-20~50 MULTI-JET, VANE WHEEL, DRY-DIAL WATER METER

Code	Description	Material	QTY
1	Coupling Nut	Brass	2
2	Coupling Tail Piece	Brass	2
3	Coupling Gasket	Rubber	2
4	Basket strainer	PP	1
5	Adjusting Plug	Brass	1
6	Adjusting Gasket	Nylon	1
7	Adjusting Screw	POM	1
8	Body	Brass	1
9	Bottom Strainer	LDPE	1
10	Measuring Chamber	ABS	1
11	Counter Pivot	Component	1
12	Turbine Component	Component	1
13	Separating Plate	Nylon	1
14	Magnetic Shield Ring	Iron	1
15	O-Ring	Rubber	1
16	Sliding Ring	POM	1
17	Fixing Ring	Brass	1
18	Register	Assembly	1
19	Retaining Ring	ABS	1
20	Cap	Brass (DN 15-20) - Plastic (DN 25-40)	1
21	Lid	HDPE	1
22	Hinge Pin	Brass	1